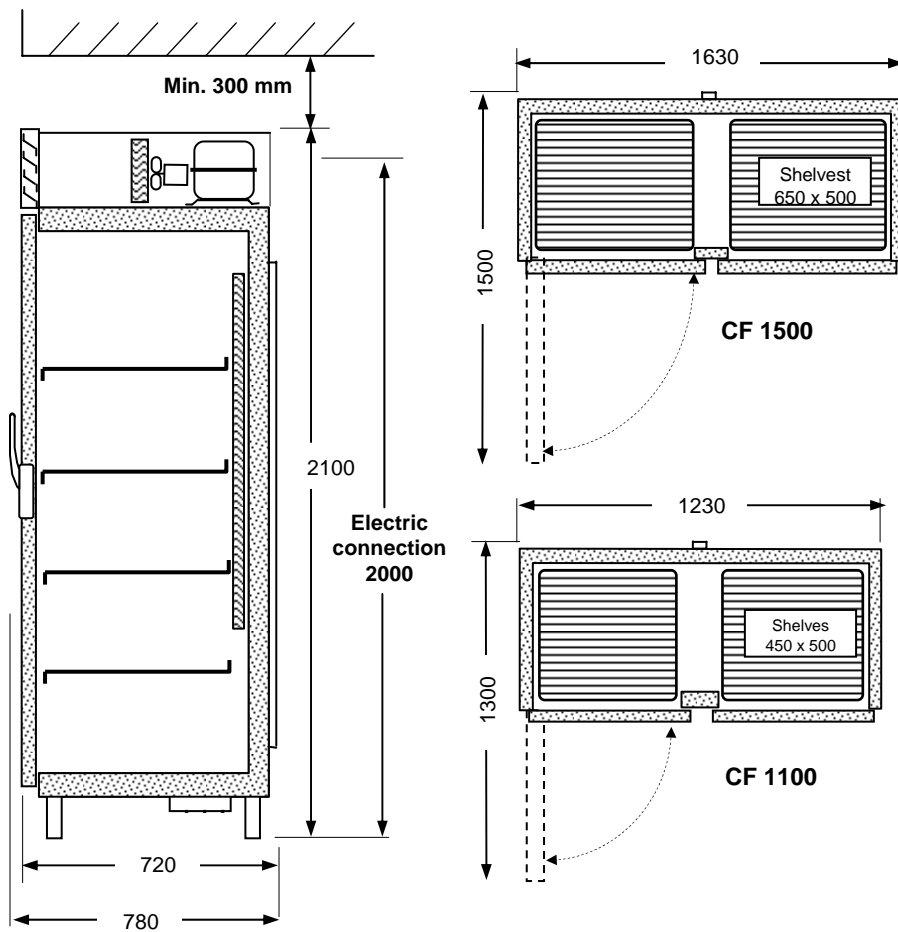


KylCity Freezer

CF-1100 CF-1500



TECHNICAL INFORMATION



CF-A = incl. compressor

CF-C = excl. compressor

Design outside:

St. steel 2333

Design inside:

St. steel 2333

Insulation:

Freon free polyuretán

Defrost:

Automatic

Compressor:

Integrated pipe-system

Door:

Magnetic seal and lockable handles

Shelves:

Crom

Ventilation requirements:

1300 m³/h

Model:		CF-A	CF-C	CF-A	CF-C
		1100	1100	1500	1500
Gross volume	L	940	940	1320	1320
Temp. area	C	-30° -10°	-30° -10°	-30° -10°	-30° -10°
Outside temp. max	C	+32°	-	+32°	-
Cooling cap: t ₂ = - 20°	W	590	590	1020	1020
Power	V/Hz	230 50/60			
Connection effect	W	655	84	1100	121
Energi use*	Kwh/day	9.3	1.2	15.4	1.7
Amp.	A	3.8	0.45	6.8	0.65
Sound	dB(A)	61	-	61	-
Cooling system		R-452A			
Weight	kg	246	190	285	240

With delivery compressor, the cooling pipes and cables are lokated on top of cabinet. Thermostat, magnetic valve and expansion valve are mounted.

*Time running 14 hours/24 hours

