

KylCity Refrigerator

CK-120

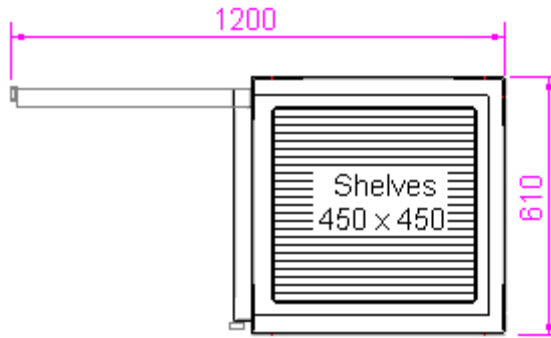
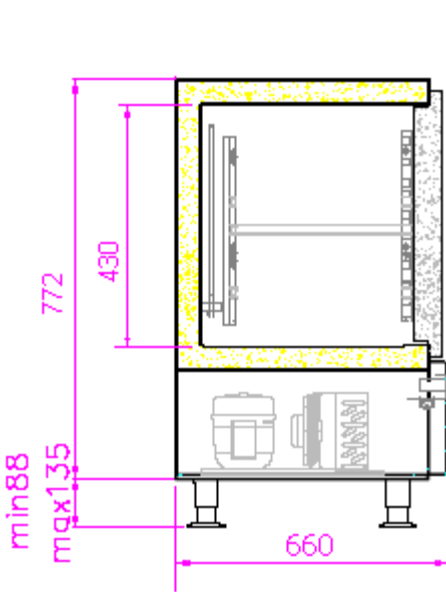


CE

TECHNICAL INFORMATION

CK-A = incl. compressor

CK-C = excl. compressor



CK-120
H=900

Design outside
St. steel 2333,

Design inside:
St. steel 2333

Insulation:
Freon free polyuretán

Defrost: Automatic

Compressor: Integrated pipe-system

Door: Magnetic seal and lockable handles

Shelves: 450 x 450 mm
Crom

Ventilation requirements:
420-620 m³/h

Defrost water heater:
Not standard

| Model: | | CK-A | CK-C |
|--------------------------------------|---------|-----------|-----------|
| | | 120 | 120 |
| Gross volume: | L | 110 | 110 |
| Temp. area | C | -1°+12° | -1°+12° |
| Outside temp. max | C | +32° | - |
| Cooling cap t ₂ = - 20° C | W | 95 | 95 |
| Power | V/hz | 230/50-60 | 230/50-60 |
| Connection effect | W | 150 | 10 |
| Energy use* | Kwh/day | 1.9 | - |
| Amp. | A | 0.9 | 0.2 |
| Sound | dB (A) | 45 | |
| Cooling system | | R-134a | R-134a |
| Weight | Kg | 65 | 60 |

With delivery compressor, the cooling pipes and cables are located on top of cabinet. Thermostat, magnetic valve and expansion valve are mounted.

*Time running 14 hours/24 hours

