

# KylCity

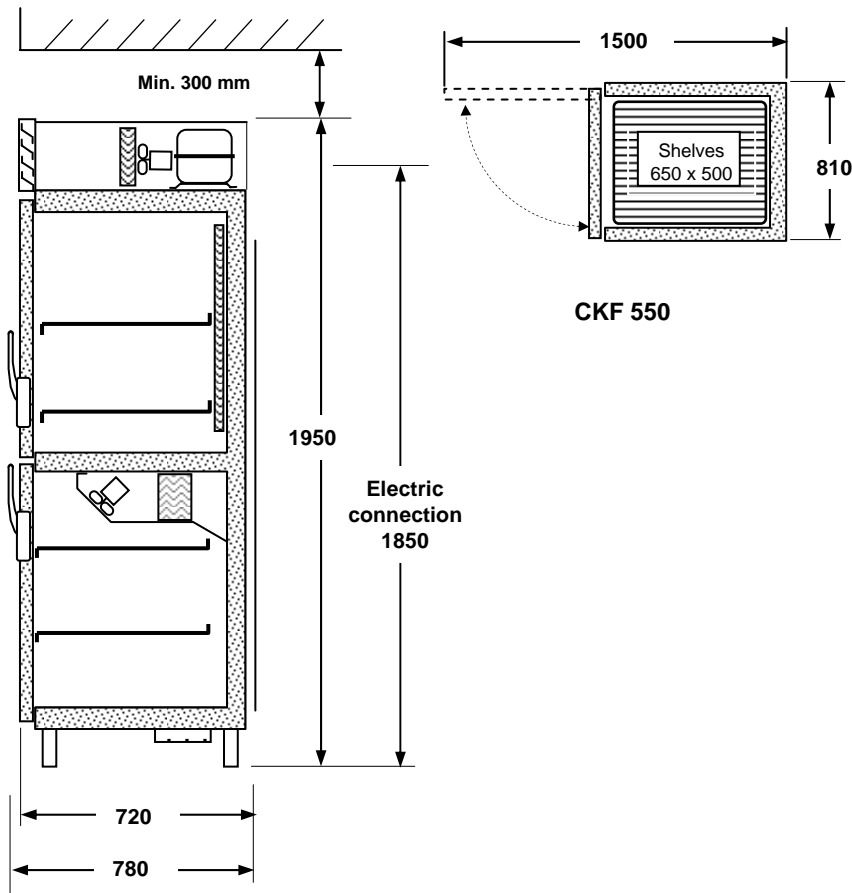
CKF-550

## Refrigerator/Freezer



CE

# TECHNICAL INFORMATION



CKF-A = incl. compressor

CKF-C = excl. compressor

**Design outside:**

St. steel 2333

**Design inside:**

St. steel 2333

**Insulation:**

Freon free polyuretan

**Defrost:** Automatic

**Compressor:** Integrated pipe-system

**Door:** Magnetic seal and lockable handles

**Shelves:** Crom

**Ventilation requirements:**

620 m<sup>3</sup>/h

**Defrost water heater:** Not standard

Typ	CKF-A 550		CKF-C 550		
		REFRIGERATOR /	FREEZER	REFRIGERATOR /	FREEZER
Gross volume	L	270	270	270	270
Temp. area	C	-1°..+12°		-1°..+12°	
Outside temp.		+32°			
Cooling cap t <sub>2</sub> = -10°/ -30° C	W	185	280	185	280
Power	V/Hz	230 50/60		20	
Connection effect	W	550		0,2	
Energy use*	Kwh/day	6,4		0.1	
Amp.	A	7		-	
Sound	dB(A)	57			
Cooling system		R 134 A	R 404 A	R 134 A	R 404 A
Weight	Kg	130		125	

With delivery compressor, the cooling pipes and cables are located on top of cabinet. Thermostat, magnetic valve and expansion valve are mounted.

\*Time running 14 hours/24 hours

