

KylCity Refrigerator

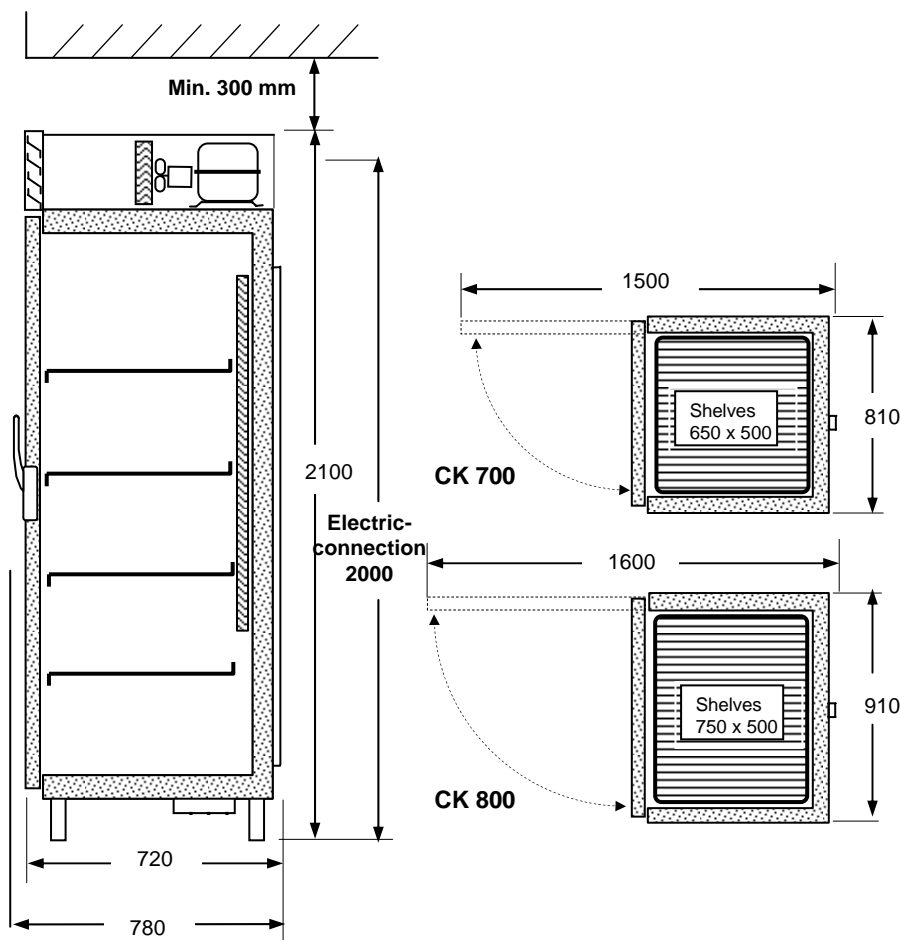
CK-700 CK-800



TECHNICAL INFORMATION

CK-A = incl. compressor

CK-C = excl. compressor



Design outside

St. steel 2333,

Design inside:

St. steel 2333

Insulation:

Freon free polyuretan

Defrost: Automatic

Compressor: Integrated pipe-system

Door: Magnetic seal and lockable handles

Shelves:
Crom

Ventilation requirements:
420-620 m³/h

| Model: | | CK-A | CK-A | CK-C | CK-C |
|--------------------------------------|---------|-----------|---------|----------|---------|
| | | 700 | 800 | 700 | 800 |
| Gross volume: | L | 660 | 750 | 660 | 750 |
| Temp. area | C | -1°+12° | -1°+12° | -1°+12° | -1°+12° |
| Outside temp. max | C | +32° | +32° | | |
| Cooling cap t ₂ = - 20° C | W | 265 | 310 | 265 | 310 |
| Power, same for all | V/hz | 230-50/60 | | | |
| Connection effect | W | 295 | 355 | 10 | 10 |
| Energy use* | Kwh/day | 4.13 | 4.97 | 0.05 | 0.05 |
| Amp. | A | 1.9 | 2.2 | 0.7 | 0.8 |
| Sound | dB (A) | 49 | 55 | | |
| Cooling system | R-134 a | R-134 a | R-134 a | R -134 a | R-134 a |
| Weight | Kg | 160 | 185 | 145 | 170 |

With delivery compressor, the cooling pipes and cables are located on top of cabinet. Thermostat, magnetic valve and expansion valve are mounted.

*Time running 14 hours/24 hours

